

# PHILCO

REG. U.S. PAT. OFF

## Service Bulletin—No. 154

### Model 81

The Philco Radio Model 81 is a four tube superheterodyne receiver combining Standard broadcast and police reception and employs the new Philco high efficiency tubes with pentode output and electro dynamic speaker. The same superheterodyne circuit is used for Standard broadcast and police reception. The intermediate frequency for tuning the I. F. transformer is 460 kilocycles. The power consumption of the Model 81 is 46 watts.

**Table 1—Tube Socket Data\***  
Power Line Voltage 115 Volts

Circuit	Det. Osc.	2nd Det.	Out-put	Rec-tifier
Type Tube	77	77	42	80
Filament Volts—F to K	6.3	6.3	6.3	5.0
Plate Volts—P to K	240	75	240	425
Screen Grid Volts—SG to K	85	40	250	..
Control Grid Volts—CG to K	5.6	.6	2.3	..
Cathode Volts—K to F	24.5	16	16.2	..

**Table 2—Power Transformer Data**

Terminal	A. C. Volts	Circuit	Color
1-2	105-125	Primary	White
3-5	6.3	Filament	Black
6-7	5.0	Filament of 80	Blue
8-10	630	Plates of 80	Yellow
4	..	Center Tap of 3-5	Black-Yellow Tracer
9	..	Center Tap of 8-10	Yellow-Green Tracer

\*All of the above readings were taken from the underside of the chassis, using test prods and leads with a suitable A. C. voltmeter for filament voltages and a high resistance multirange D. C. voltmeter for all other readings. Volume control at maximum and station selector turned to low frequency end. Readings taken with a radio set tester and plug in adapter will not be satisfactory.

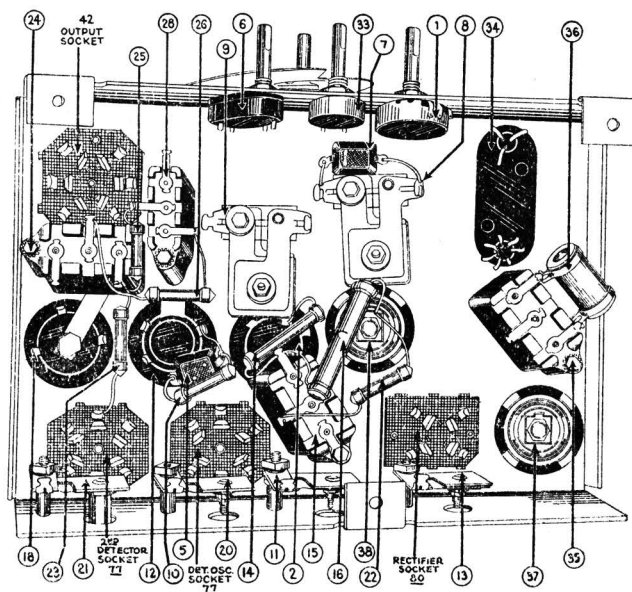


Fig. 1—Parts Diagram



77 Sockets



42 Socket



80 Socket

Terminal Arrangement of Tube Sockets Viewed from Under Side of Chassis.

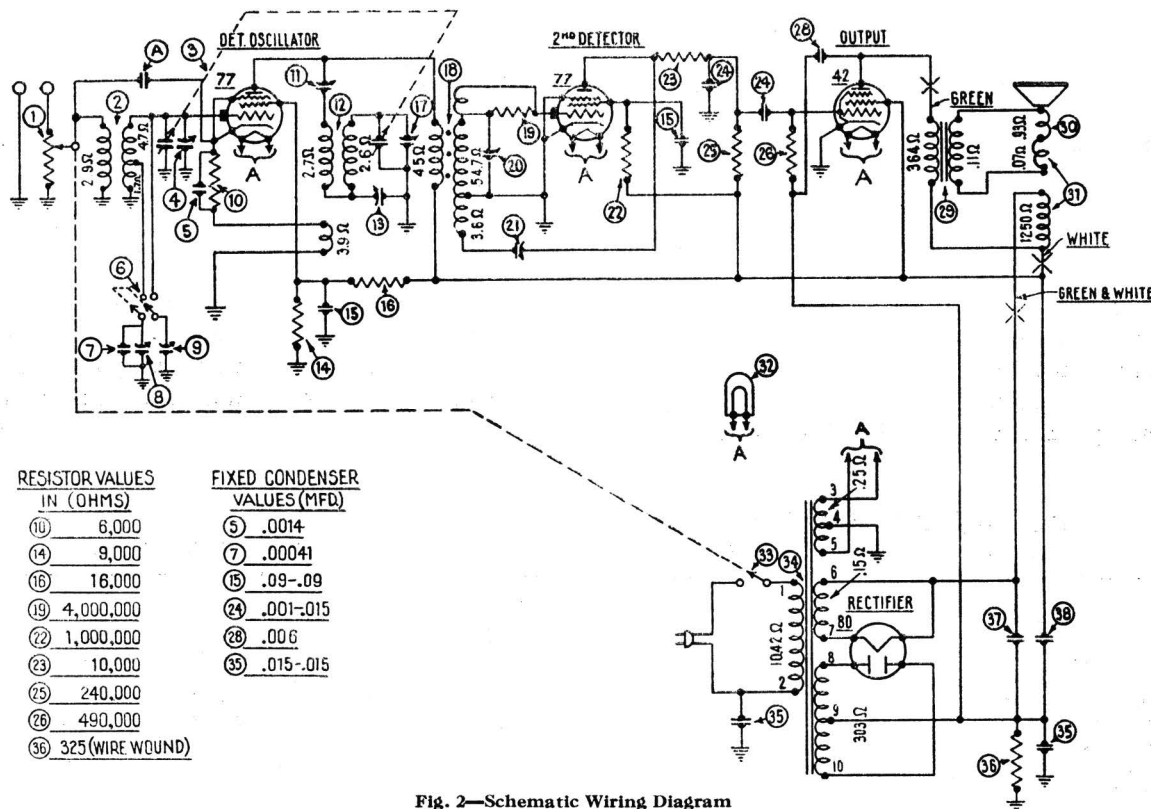


Fig. 2—Schematic Wiring Diagram

Note A—This capacity obtained by pair twisted wires.

RESISTOR VALUES IN (OHMS)	
10	6,000
14	9,000
16	16,000
19	4,000,000
22	1,000,000
23	10,000
25	240,000
26	490,000
36	325 (WIRE WOUND)

FIXED CONDENSER VALUES (MFD)	
5	.0014
7	.00041
15	.09-.09
24	.001-.015
28	.006
35	.015-.015

## REPLACEMENT PARTS MODEL 81

No. on Figs.	Description	Part No.	List Price	No. on Figs.	Description	Part No.	List Price
1	Volume Control*	33-5002	.75	26	Resistor (Yellow-White-Yellow)	4517	.25
2	Antenna Transformer	32-1030	.50	28	Condenser	7625-B	.12
3	Tuning Cond. Assembly	31-1006		29	Output Transformer	2660	1.25
4	Compensating Condenser (Part of 3)			30	Voice Coil and Cone Assembly	02861	.60
5	Cond. (Red and Black)	7007	.25	31	Speaker Field and Bucking Coil (with Pot)	02667	2.00
6	Frequency Switch	42-1000		32	Pilot Light	6608	.14
7	Cond. (Orange and Yellow)	30-1000	.20	33	"On-Off" Switch*	6416-W	.40
8	Compensating Condenser	04000-S	.25	34	Power Transformer—50-60 Cycles	7421	2.75
9	Compensating Condenser	04000-X	.16		Power Transformer—25-40 Cycles	7422	4.00
10	Resistor (Blue-Black-Red)	7352	.25		Power Transformer—50-60 Cycles, 250 Volts	7423	2.75
11	Compensating Condenser (I.F. Primary)	04000-A	.12	35	Condenser (Double)	3793-R	.25
12	Oscillator Coil	32-1031	.75	36	Resistor (Wire Wound)	7465	.12
13	Compensating Condenser (Low Frequency)	04000-S	.25	37	Electrolytic Condenser (8 Mfd.)	7558	1.25
14	Resistor (White-Black-Red)	7501	.25	38	Electrolytic Condenser (4 Mfd.)	7467	1.25
15	Condenser	4989-B	.22		Bezel	7417	.12
16	Resistor (Brown-Blue-Orange)	7500	.40		Tube Shield	7172	.12
17	Compensating Condenser (Part of 3)				Knob (Large)	03063	.08
18	I.F. Transformer	06100	1.25		Knob (Small)	03064	.06
19	Resistor (Mounted on I.F. Transformer)	6010	.25		Knob Spring	5262	.35 per C
20	Compensating Condenser (I.F. Secondary)	04000-D	.10		Grid Clip	4897	.30 per C
21	Compensating Condenser	04000	.16		Four Prong Socket Assembly	5026	.08
22	Resistor (Brown-Black-Green)	4409	.25		Six Prong Socket Assembly	6417	.10
23	Resistor (Brown-Black-Orange)	4412	.25		Chassis Mounting Screw	W-567	2.40 per C
24	Condenser (Double)	7762-B	.20		Chassis Mounting Washer	W-315	.40 per C
25	Resistor (Red-Yellow-Yellow)	4410	.25		Pilot Lamp Shield	5760	

\*On later production (run No. 3 and above, rubber stamped in a star on back of chassis) volume control 1 and on-off switch 33 was combined. This new volume control and on-off switch is Part Number 7439.